



## NFC-Bluetooth Primer

IOTZ-TAPNLINK-PRIMER-NB

TapNLink Primer connects to MCU systems to make IoT proof-of-concepts in minutes!



STM32



# NFC-Bluetooth Low Energy Primer

IOTZ-TAPNLINK-PRIMER-NB

## Contents:

IoTize TapNLink Primer  
STM32 board

## Also Requires:

Android smartphone or iPhone with **Bluetooth**, **NFC** (optional) and **data connections** enabled.

Requires **Android v4.0.3** or later version, or **iOS v10**.

---

## Connect & Power Up

1. Connect Primer to the STM32 board.
2. Connect STM32 board's USB to a PC for power supply.

## For Android:

3. Install **IoTize Communication Service (ICS)** app from **Google Play Store**. (Use NFC tap to connect and install it automatically!)
4. Launch ICS and connect smartphone to Primer's **Bluetooth**. (Use NFC tap to connect, pair and launch the app automatically!)

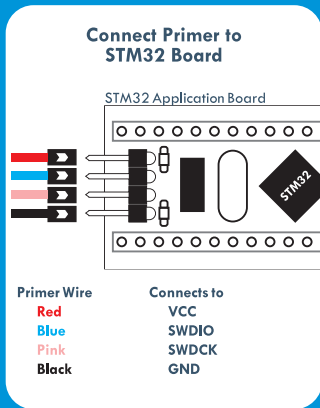
Connecting your smartphone to the Primer launches the sample monitoring app, **IoTize STM32 Sensor Demo**. This displays information about the application processor (operating frequency, temperature, etc.).

**In this app**, click on **Register** and follow the instructions to register your Primer and access its Cloud environment.

**For complete user instructions and tutorial**, go to...

[www.iotize-primer.com](http://www.iotize-primer.com)

Copyright © IoTize SAS. All rights reserved.



## For iOS:

3. Install **IoTize Communication Service (ICS)** app from **App Store**.
4. Launch ICS and connect iPhone to Primer's **Bluetooth**.