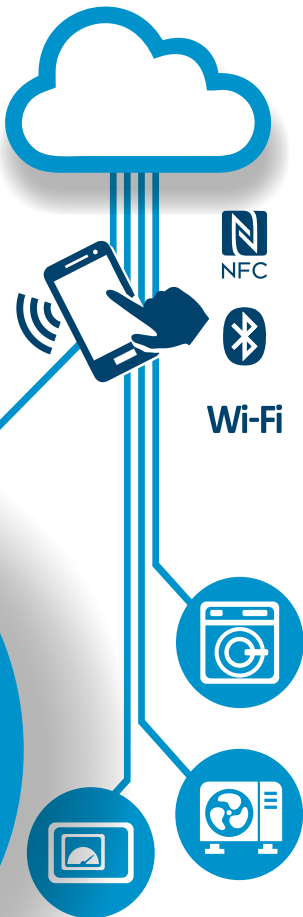




TapNLink Wireless Primer

TNL-PRIMER-NBW

Connects electronics to mobiles & cloud
to create IoT proofs-of-concept
in just minutes!





TapNLink Wireless Primer

TNL-PRIMER-NBW

Contents:

TapNLink Primer (Wi-Fi, BLE, NFC)
STM32 board

Also Requires:

An Android mobile or iPhone with **Wi-Fi** or **Bluetooth** and the **data connection** enabled. NFC is optional.

Requires **Android v4.0.3** or later version, or **iOS 10** or later version.

Connect & Power Up

1. Connect Primer to the application board.
2. Connect the application board's USB to a PC or other USB power supply.

Install & Connect App Manually

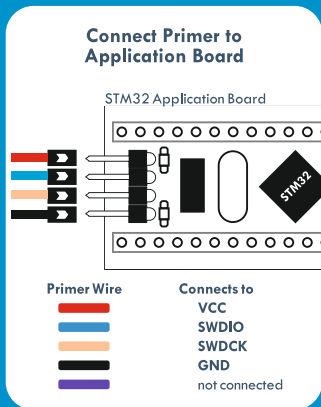
3. Install IoTize **Sensor Demo** app from Play Store or App Store.
4. Select your Primer from the available Wi-Fi connections on your mobile. Default WPA key is **ABCD1234**.

Sensor Demo displays data from the microcontroller on the sample application board.

For this sample, an **IoTize Studio** configuration project shows you the fundamentals of configuring your Primer. With IoTize Studio, you can reconfigure Primer for other microcontroller application boards and create your own apps for Android or iOS.

Learn more about creating mobile apps with **IoTize Studio**:

www.wireless-primer.com



or Auto-Connect Using NFC: *

3. Approach the mobile to the Primer. It automatically connects via Wi-Fi and launches installation of **Sensor Demo**.

* Supported by Android mobiles with NFC and by iPhone XS and later with iOS 13 or later versions.